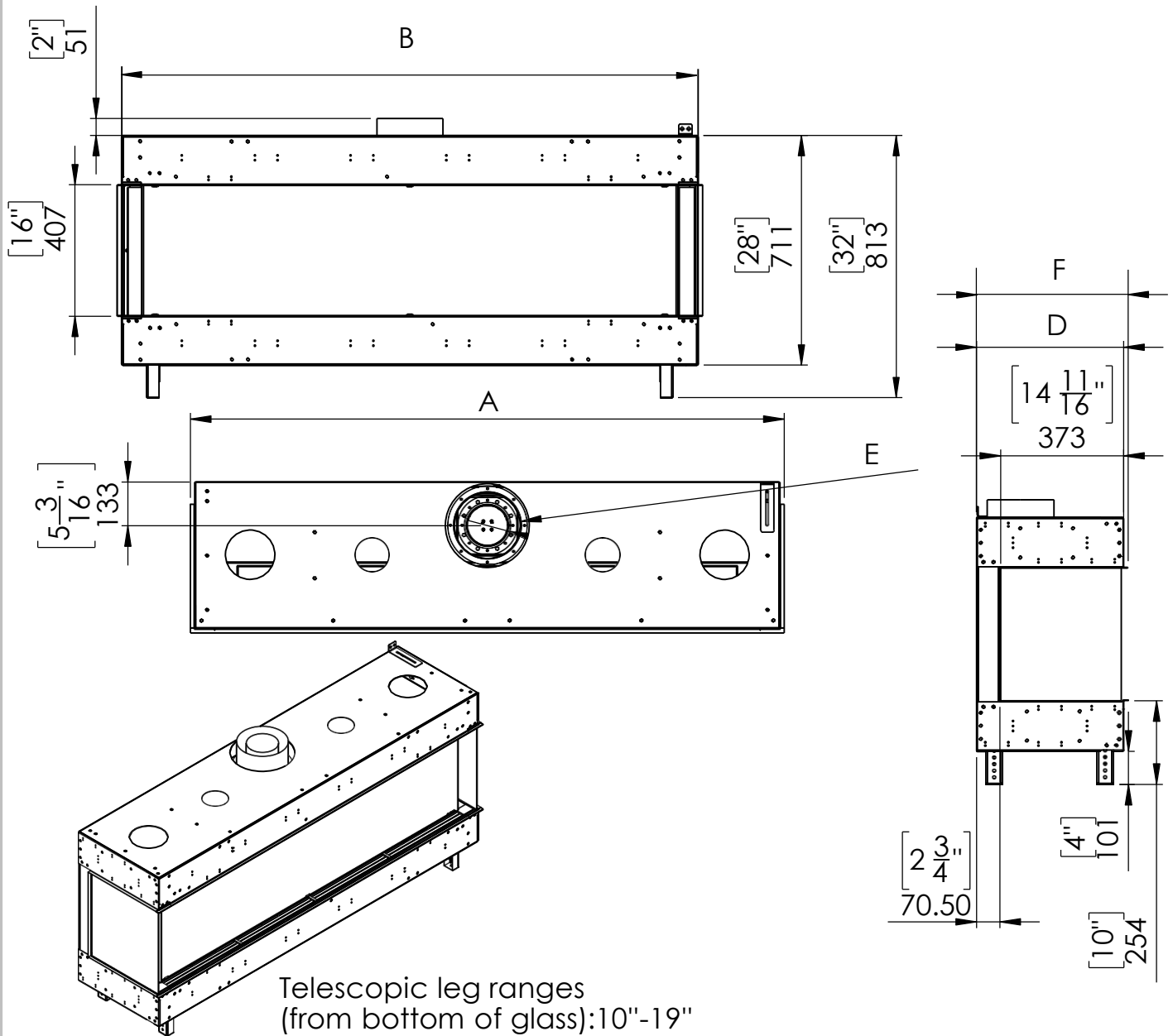
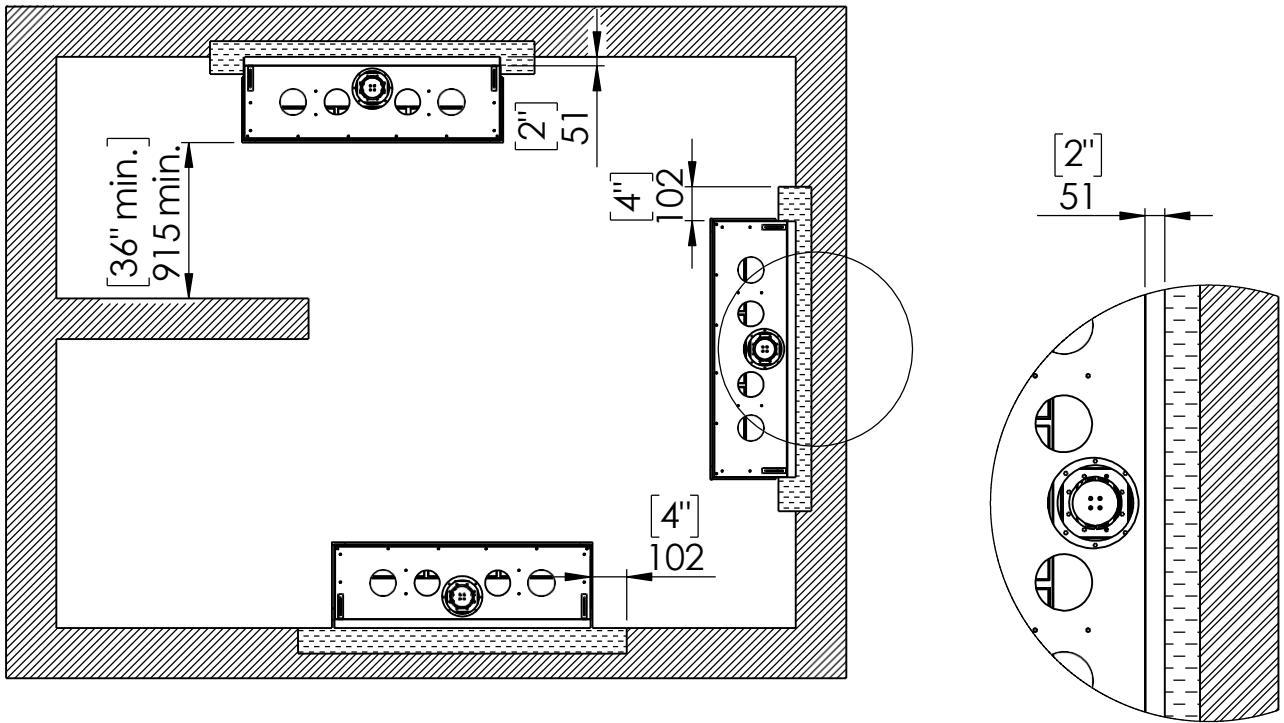


# Double Corner Metal Frame

## Fireplace Dimensions



Model	45	50	60	70	80	100
A- Inch	43 <sup>9</sup> / <sub>16</sub>	50 <sup>4</sup> / <sub>16</sub>	60 <sup>2</sup> / <sub>16</sub>	69 <sup>15</sup> / <sub>16</sub>	82 <sup>9</sup> / <sub>16</sub>	99 <sup>8</sup> / <sub>16</sub>
B- Inch	43 <sup>7</sup> / <sub>16</sub>	50 <sup>2</sup> / <sub>16</sub>	59 <sup>15</sup> / <sub>16</sub>	69 <sup>13</sup> / <sub>16</sub>	82 <sup>6</sup> / <sub>16</sub>	99 <sup>5</sup> / <sub>16</sub>
F- Inch	18 <sup>1</sup> / <sub>16</sub>	18 <sup>1</sup> / <sub>16</sub>	18 <sup>1</sup> / <sub>16</sub>	18 <sup>1</sup> / <sub>16</sub>	18 <sup>1</sup> / <sub>16</sub>	18 <sup>1</sup> / <sub>16</sub>
D- Inch	17 <sup>9</sup> / <sub>16</sub>	17 <sup>9</sup> / <sub>16</sub>	17 <sup>9</sup> / <sub>16</sub>	17 <sup>9</sup> / <sub>16</sub>	17 <sup>9</sup> / <sub>16</sub>	17 <sup>9</sup> / <sub>16</sub>
E- Inch	4x6	5x8	5x8	5x8	5x8	5x8

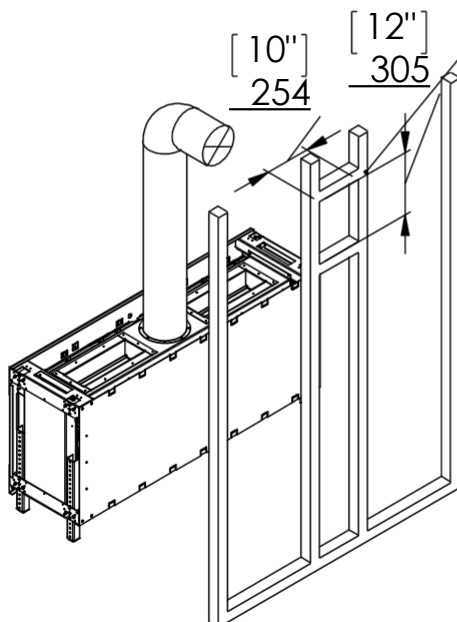


 Combustible Materials  
 Non Combustible Materials

## Chimney Installation

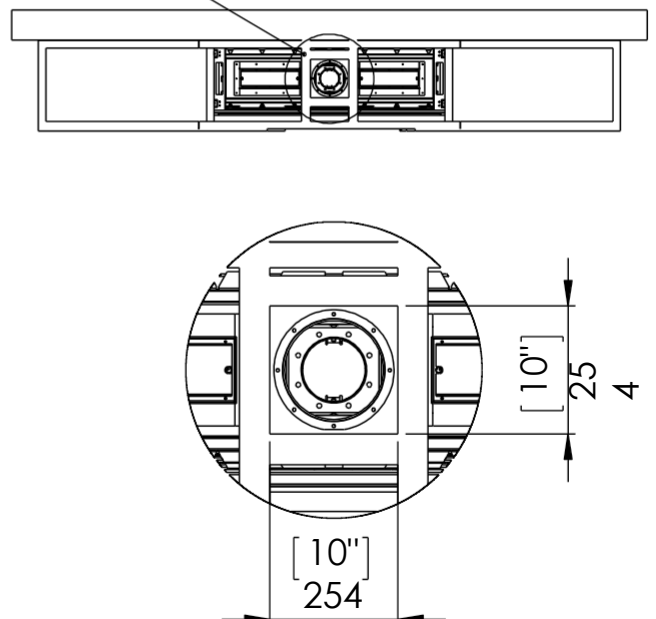
### Horizontal Termination

For 5 x 8 vent size create 10" x 12" vent termination opening

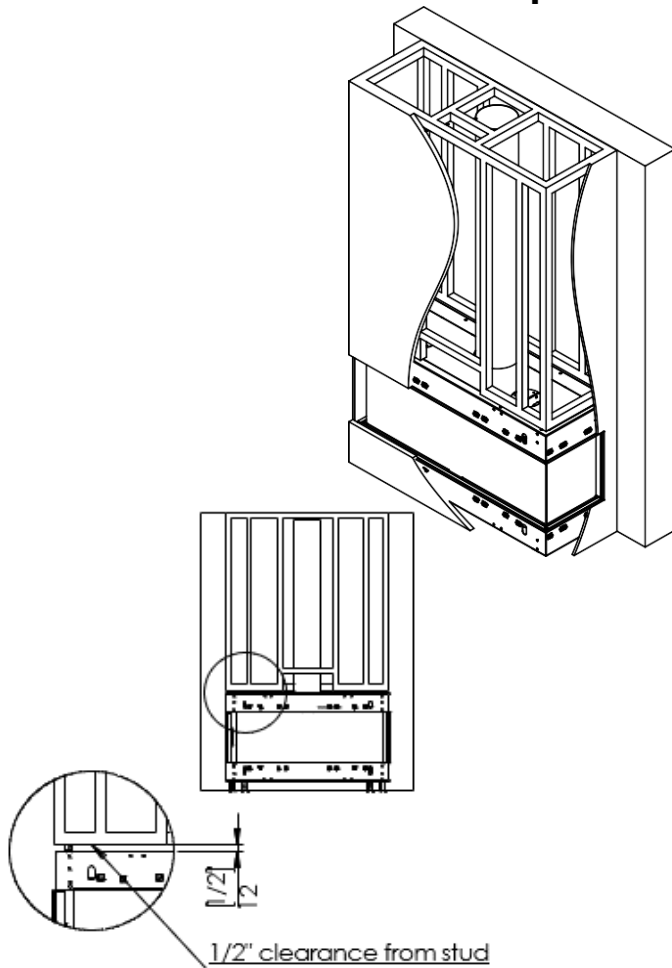


### Vertical Termination

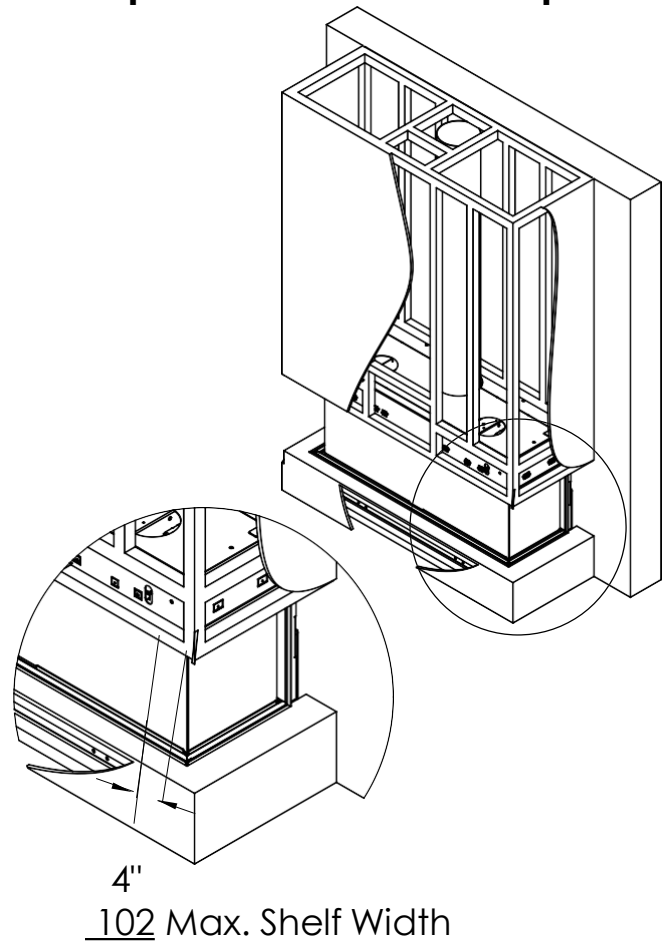
For 5 x 8 vent size create 10" x 10" vent termination opening



## Flat Installation Example



## L Shape Installation Example



## Heat Release and Air Intakes

### The following sizes MUST be maintained for the upper heat release:

For fireplaces sized 80" & 100" – open vent area must be at least **200 square inches**.

For fireplaces sized 60" & 70" – open vent area must be at least **140 square inches**.

For fireplace sized 50" and below – open vent area must be at least **100 square inches**.

### The following sizes MUST be maintained for the lower air intake:

For fireplaces sized 80" & 100" – open vent area must be at least **100 square inches**.

For fireplaces sized 60" & 70" - open vent area must be at least **70 square inches**.

For fireplaces sized 50" and below - open vent area must be at least **50 square inches**.

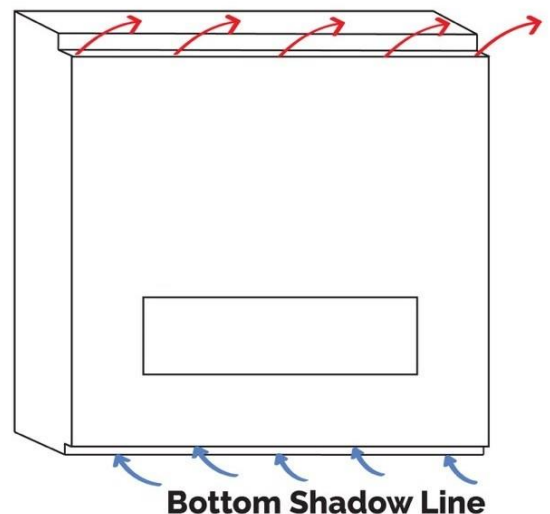
For See Through and Room Definer fireplaces, the air intake requirements are **double**.

**NOTE: Openings above for Heat Release and Air Intake are measured for open air space. BE SURE TO CALCULATE FOR RESTRICTIONS IN GRATING.**

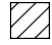
**NOTE: On all See Through and Room Definer units the air intake must be doubled**

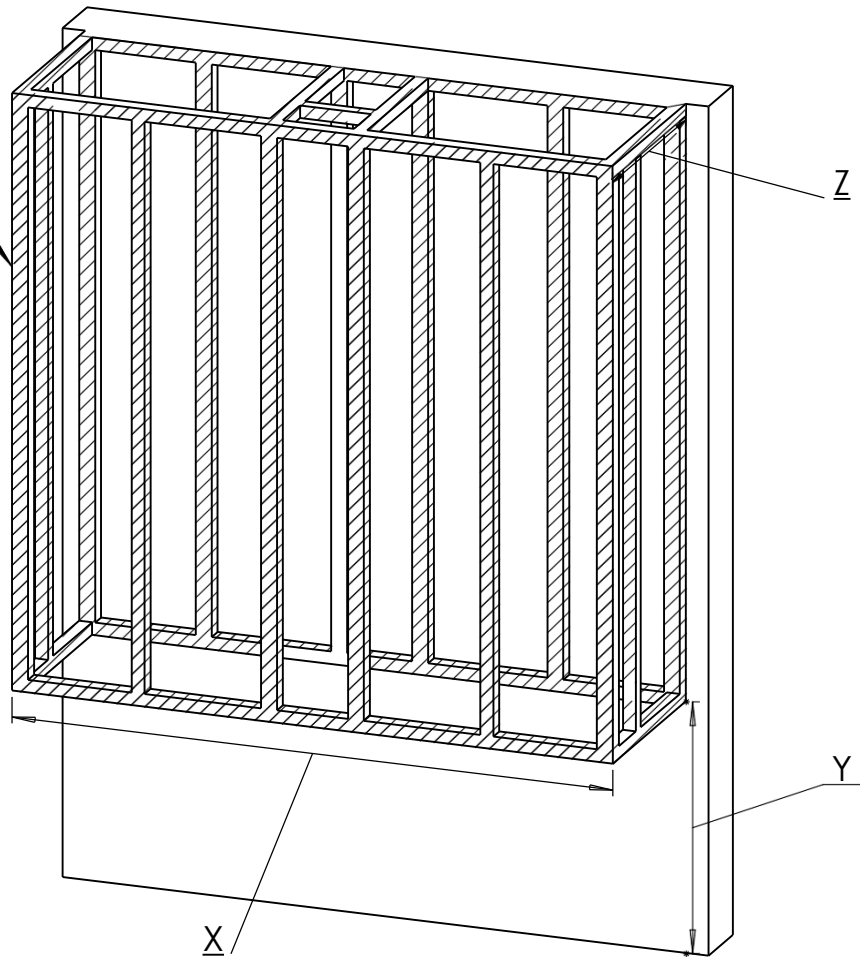
Air Intakes required for Double Glass or Optional Blower kits ONLY.

### Top Shadow Line



# Double Corner Metal Frame

 Metal Stud  
 with Non-  
 Combustible  
 back wall



**NOTE:** Dimension 'Y' uses legs at default lowest height 4" below the unit with glass beginning 10" above the floor. Increase leg height and Y dimension for higher viewing window.

**Metal Studs must be self supported.**  
**Metal Studs must not connect to Fireplace.**  
**Metal Studs must maintain 1/2" clearance to Fireplace.**

		X	Y	Z	
				Flat Installation	Recess Installation ( 4" Max)
45	Inch	43 <sup>9</sup> / <sub>16</sub>	32 <sup>8</sup> / <sub>16</sub>	19 <sup>9</sup> / <sub>16</sub>	23 <sup>9</sup> / <sub>16</sub>
	mm	1093	826	497	598
50	Inch	50 <sup>4</sup> / <sub>16</sub>	32 <sup>8</sup> / <sub>16</sub>	19 <sup>9</sup> / <sub>16</sub>	23 <sup>9</sup> / <sub>16</sub>
	mm	1276	826	497	598
60	Inch	60 <sup>2</sup> / <sub>16</sub>	32 <sup>8</sup> / <sub>16</sub>	19 <sup>9</sup> / <sub>16</sub>	23 <sup>9</sup> / <sub>16</sub>
	mm	1527	826	497	598
70	Inch	69 <sup>15</sup> / <sub>16</sub>	32 <sup>8</sup> / <sub>16</sub>	19 <sup>9</sup> / <sub>16</sub>	23 <sup>9</sup> / <sub>16</sub>
	mm	1776	826	497	598
80	Inch	82 <sup>9</sup> / <sub>16</sub>	32 <sup>8</sup> / <sub>16</sub>	19 <sup>9</sup> / <sub>16</sub>	23 <sup>9</sup> / <sub>16</sub>
	mm	2097	826	497	598
100	Inch	99 <sup>8</sup> / <sub>16</sub>	32 <sup>8</sup> / <sub>16</sub>	19 <sup>9</sup> / <sub>16</sub>	23 <sup>9</sup> / <sub>16</sub>
	mm	2527	826	497	598