



GAS
FIREPLACES



Enviro

HEARTH PRODUCTS



Designed to heat. Built to Last.

For over 30 years, unsurpassed quality and craftsmanship have made us an industry leader in innovative heating systems. Design, functionality, and efficiency merge to create exceptional products that will exceed all expectations. Whether time-honored traditional or bold and modern, our dynamic range of products will compliment any home décor. With a complete line of fireplace inserts, zero-clearance fireplaces, and freestanding stoves, we have the perfect solution for your heating requirements. We won't just meet your expectations; we'll exceed them...





Q1 Fireplace – Minimal Surround, Black Enameled Steel Liner, and Glass Burner with Diamond Glass



Q1 Insert – Antique Bronze Victorian Face, Ledgestone Liner, and Coal Burner



Q1 Fireplace – Ceramic Brick Liner, and Classic Log Set

Design Features

- Clean Face Look — No Louvers
- SIT Valve 820 (Standing Pilot)
- SIT Valve 885 (IPI System with Remote)
- Glass Size: 17½" x 19¾", 34½ in²
- Hand Welded Firebox
- 150 CFM Room Fan (with variable control)
- Limited Lifetime Warranty
- ClearView Safety Screen
- Quick Access Valve Controls

Available Options

- Remote or Thermostat Control
- Burner Options:
 - High Definition Log Set
 - Glass Burner with Diamond Glass
 - Coal Burner
- Liner Options:
 - Ceramic Brick Liner
 - Ledgestone Liner
 - Black Enameled Steel Liner
- Surround Options:
 - Modern Surround
 - Minimal Surround
 - Victorian Face (PB or AB)
 - Four Sided Minimal Surround

Fireplace Specifications

BTU Maximum Input - NG	20,000 BTU		
BTU Minimum Output*	10,000 BTU		
Heating Area	1,100 ft ²		
P4 Efficiency	74.5%		
Glass Size	34½ in ²		
Fireplace Install Dims.	HEIGHT 35¼"	WIDTH 25¼"	DEPTH 17½"

* Turn down is based on a 50% valve.



Classic Log Set



Coal Burner



Glass Burner with Diamond Glass



Q2 Fireplace – Slim Face Surround, Painted Black Firebox, and Driftwood Log Set



Q2 Fireplace – Slim Face Surround, Ceramic Herringbone Liner, and Traditional Log Set



Q2 Fireplace – Slim Face Surround, Black Enameled Steel Liner and Glass Burner with Diamond Glass

Design Features

- Clean Face Look — No Louvers
- SIT Valve 820 (Standing Pilot)
- SIT Valve 885 (IPI System with Remote)
- Glass Size: 28.6" x 23.85", 682 in²
- Hand Welded Firebox
- 150 CFM Room Fan (with variable control)
- ClearView Safety Screen
- Limited Lifetime Warranty

Available Options

- Remote or Thermostat Control
- Optional 150 CFM Room Fan (Incl. w/IPI)
- Burner Options:
 - Traditional Log Set
 - Driftwood Log Set
 - Glass Burner with Diamond Glass
- Liner Options:
 - Painted Black Firebox - Included
 - Ceramic Brick Liner
 - Herringbone Liner
 - Black Enameled Steel Liner
- Surround Options:
 - Slim Face - Included
 - Forgeworks Face

Fireplace Specifications

BTU Maximum Input - NG	24,000 BTU		
BTU Minimum Output*	12,000 BTU		
Heating Area	1,400 ft ²		
P4 Efficiency	69.3%		
Glass Size	682 in ²		
Fireplace Install Dims.	HEIGHT 40"	WIDTH 34 ⁵ / ₈ "	DEPTH 15 ⁷ / ₈ "

* Turn down is based on a 50% valve.



Traditional Log Set



Glass Burner with Diamond Glass



Driftwood Log Set



Q3 Fireplace – Forgeworks Surround, Ceramic Brick Liner, and Traditional Log Set



Q3 Fireplace – Slim Face Surround, Brick Liner and Traditional Log Set



Q3 Fireplace – Lattice Face Surround, Black Enameled Steel Liner, and Traditional Log Set

Design Features

- Clean Face Look — No Louvers
- SIT Valve 820 (Standing Pilot)
- SIT Valve 885 (IPI System with Remote)
- Glass Size: 28" x 30", 840 in²
- Hand Welded Firebox
- High Efficiency Heat Exchanger
- 150 CFM Room Fan (with variable control)
- Fixed Top Vent / Adjustable Rear Vent
- ClearView Safety Screen
- Limited Lifetime Warranty

Available Options

- Remote or Thermostat Control
- Burner Options:
 - Traditional Log Set
- Liner Options:
 - Ceramic Brick Liner
 - Ledgerstone Liner
 - Black Enameled Steel Liner
- Surround Options:
 - Slim Face - Included
 - Lattice Face
 - Forgeworks Face

Fireplace Specifications

BTU Maximum Input - NG	38,000 BTU		
BTU Minimum Output*	19,000 BTU		
Heating Area	2,000 ft ²		
P4 Efficiency	67.3%		
Glass Size	840 in ²		
Fireplace Install Dims.	HEIGHT 43½"	WIDTH 34¾"	DEPTH 18"

* Turn down is based on a 50% valve.



Traditional Log Set



Cast Iron Grate



High Efficiency Heat Exchanger



Q4 Fireplace – Ledgestone Liner and Ultra HD Log Set



Q4 Fireplace – Ceramic Brick Liner and Ultra HD Log Set



Q4 Fireplace – Black Enameled Steel Liner and Ultra HD Log Set

Design Features

- Clean Face Look — No Louvers
- SIT Valve 885 (IPI System with Remote)
- 67% Burner Turn Down
- Glass Size: 34¼" x 30", 1027½ in²
- Hand Welded Firebox
- Cast Iron Log Grate
- ClearView Safety Screen
- Limited Lifetime Warranty

Available Options

- Power Vent Kit
- Heat Distribution Kit
- Burner Options:
 - Ultra High Definition Log Set
- Liner Options:
 - Rustic Brick Liner
 - Ledgestone Liner
 - Black Enameled Steel Liner

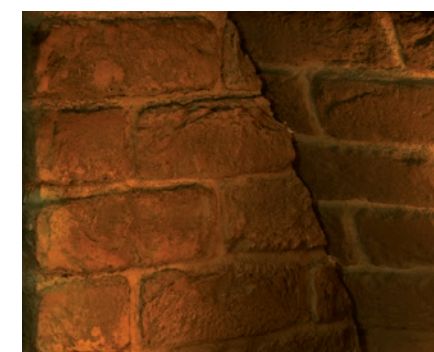
Fireplace Specifications

BTU Maximum Input - NG	48,000 BTU
BTU Minimum Output*	16,000 BTU
Heating Area	2,000 ft ²
P4 Efficiency	57.7%
Glass Size	1027½ in ²
Fireplace Install Dims.	HEIGHT 52¼" WIDTH 44¾" DEPTH 26"

* Turn down is based on rear burner being turned off.



Ultra High Definition Log Set



Rustic Brick Liner



Ledgestone Liner



G39 Gas Fireplace - Powder Coated Grey Surround, Rustic Brown Ceramic Brick Liner, and Traditional Log Set



G39 Gas Fireplace – Powder Coated Grey Surround, Black Enamel Steel Liner, and Birch Log Set



G39 Gas Fireplace – Powder Coated Grey Surround, Ledgestone Liner, and Traditional Log Set



G39 Gas Fireplace – Powder Coated Silver Surround, Black Enameled Steel Liner, and Glass Burner

Design Features

- Top Firebox Lighting (Log IPI Only)
- Adjustable Ember Bed Lighting (Log IPI Only)
- Clean Face Look — No Louvers
- Millivolt / IPI
- Glass Size: 26¼" x 32½", 853¼ in²
- E-Coated Glass (Optional Ceramic Glass)
- Cool Surface System HDK Included
- 130 CFM Room Fan (with variable control)
- ClearView Safety Screen
- Limited Lifetime Warranty



Available Options

- **Burner Options:**
 - Traditional Log Set
 - Birch Log Set
 - Driftwood Log Set
 - Glass Burner with Diamond Steel
- **Liner Options:**
 - Ceramic Brick Liner (Brown or Black)
 - Herringbone Liner
 - Ledgestone Liner
 - Black Enameled Steel Liner
 - Painted Steel Liner (Included)
- **Surround Options:**
 - Slim Face in Painted Black (incl.), Powder Coated Grey, Powder Coated Silver, Powder Coated Bronze, Brushed Nickel, and Brushed Antique Copper
 - Forgeworks Face

Fireplace Specifications

BTU Maximum Input - NG	30,000 BTU
BTU Minimum Output*	15,000 BTU
Heating Area	1,600 ft ²
P4 Efficiency	69.8%
Viewing Area	34½"h x 39"w
Glass Size	26½"h x 32½"w
Fireplace Install Dims.	HEIGHT 42" WIDTH 41½" DEPTH 18¼"

* Turn down is based on a 50% valve.



Traditional Log Set



Birch Log Set



Driftwood Log Set





G42 Gas Fireplace – Painted Black Surround, Black Enameled Steel Liner, Traditional Log Set



G42 Gas Fireplace – Painted Black Surround, Herringbone Liner, and Traditional Log Set



G42 Gas Fireplace – Powder Coated Silver Surround, Black Enameled Steel Liner, and Driftwood Log Set

Design Features

- Top Firebox Lighting (Log IPI Only)
- Adjustable Ember Bed Lighting (Log IPI Only)
- Clean Face Look — No Louvers
- Millivolt / IPI
- Glass Size: 29 $\frac{3}{8}$ " x 36 $\frac{1}{2}$ ", 1072 in²
- Ceramic Glass
- Cool Surface System HDK Included
- ClearView Safety Screen
- 130 CFM Room Fan (with variable control)
- Limited Lifetime Warranty



Available Options

- **Burner Options:**
 - Traditional Log Set
 - Birch Log Set
 - Driftwood Log Set
 - Glass Burner with Diamond Glass
- **Liner Options:**
 - Ceramic Brick Liner (Brown or Black)
 - Herringbone Liner
 - LedgeStone Liner
 - Black Enameled Steel Liner
 - Painted Steel Liner (Included)
- **Surround Options:**
 - Slim Face in Painted Black (incl.), Powder Coated Grey, Powder Coated Silver, Powder Coated Bronze, Brushed Nickel, and Brushed Antique Copper
 - Forgeworks Face

Fireplace Specifications

BTU Maximum Input - NG	40,000 BTU
BTU Minimum Output*	20,000 BTU
Heating Area	2,000 ft ²
P4 Efficiency	69.6%
Viewing Area	37 $\frac{1}{4}$ "h x 42"w
Glass Size	29 $\frac{3}{8}$ "h x 36 $\frac{1}{2}$ "w
Fireplace Install Dims.	HEIGHT 50" WIDTH 48 $\frac{3}{4}$ " DEPTH 23 $\frac{1}{4}$ "

* Turn down is based on a 50% valve.



Top Firebox Lighting



Diamond Glass Burner



Traditional Log Set



G50 Gas Fireplace – Powder Coated Grey Surround, Herringbone Liner, and Traditional Log Set



G50 Gas Fireplace – Painted Black Surround, Black Enameled Steel Liner, and Traditional Log Set



G50 Gas Fireplace – Powder Coated Silver Surround, Black Enameled Steel Liner, and Glass Burner with Diamond Glass



G50 Gas Fireplace – Powder Coated Grey Surround, Painted Black Ceramic Brick Liner, and Birch Log Set

Design Features

- Top Firebox Lighting (Log IPI Only)
- Adjustable Ember Bed Lighting (Log IPI Only)
- Clean Face Look — No Louvers
- IPI Valve
- Glass Size: 30½" x 43½", 1326¼ in²
- Ceramic Glass
- Cool Surface System HDK Included
- ClearView Safety Screen
- Run-Quiet Fan System
- Limited Lifetime Warranty



Learn more at enviro.com/bluiq

Available Options

- **Burner Options:**
 - Traditional Log Set
 - Birch Log Set
 - Driftwood Log Set
 - Glass Burner with Diamond Glass
- **Liner Options:**
 - Ceramic Brick Liner (Brown or Black)
 - Herringbone Liner
 - LedgeStone Liner
 - Black Enameled Steel Liner
 - Painted Steel Liner (Included)
- **Surround Options:**
 - Slim Face in Painted Black (incl.), Powder Coated Grey, Powder Coated Silver, Powder Coated Bronze, Brushed Nickel, and Brushed Antique Copper
 - Forgeworks Face

Fireplace Specifications

BTU Maximum Input - NG	48,000 BTU
BTU Minimum Output*	13,000 BTU
Heating Area	2,200 ft ²
P4 Efficiency	72.8%
Viewing Area	39¼" h x 50" w
Glass Size	30½" h x 43½" w
Fireplace Install Dims.	HEIGHT 50" WIDTH 55" DEPTH 23¼"

* Turn down = 33% Valve with Split Flow activated x P4 Efficiency



Adjustable Ember Bed Lighting



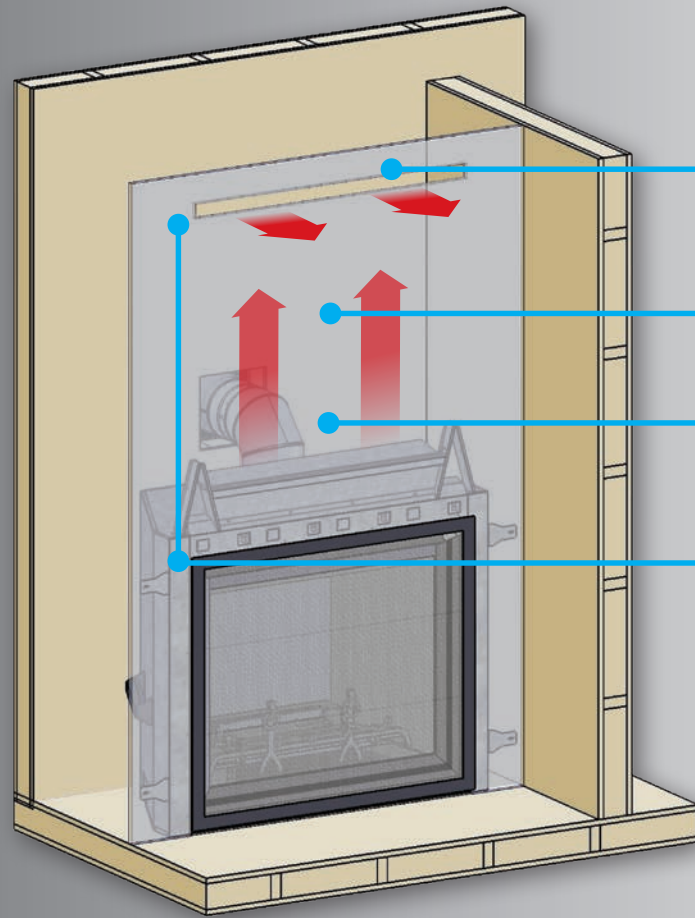
Glass Burner with Diamond Glass



Traditional Log Set

Cool Surface System

INCLUDED WITH THE G SERIES



Convective heat that rises from the fireplace is captured in the chase and channeled through the vent using the Cool Surface System.

The Cool Surface System channels rising heat behind the wall.

Allows up to 1" thick combustibile material (ie: drywall) to be used.

The Cool Surface System and vent bezel are included with every G Series unit.

We understand that surface temperatures are an important factor when considering how a fireplace will affect HDTVs or any framed decorations that might be mounted above. Heat rises naturally and with that in mind, every Enviro G Series Gas Fireplace comes equipped with our exclusive Cool Surface System.

We designed this system to help channel excess rising heat up behind the wall and safely push it through an included vent bezel bypassing any valuables above your G Series fireplace.

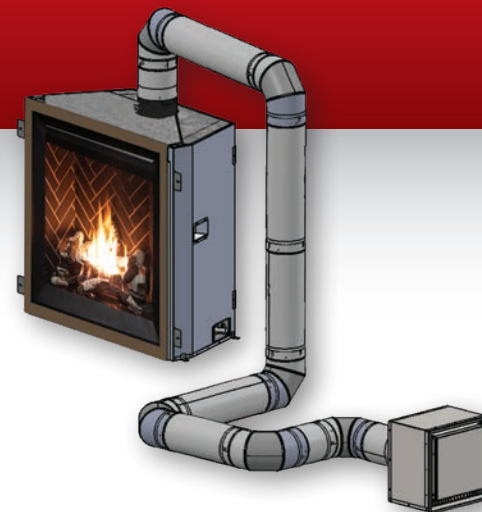
Rising heat is evenly vented forward into the living space through the included bezel

Rising heat is channeled safely past valuable wall mounted items such as a TV

Heat radiates forward from the fireplace window

Power Vent Kit OPTIONAL FOR THE G SERIES

- A minimum venting run of 10 feet
- A maximum venting run of 110 feet
- Max of 6 elbows in vent configuration
- Venting can run downward 4' below the unit
- Flush mount (paintable) termination
- All stoves EXCEPT the G39 require part #50-2321 (Or you can order part #58DVA-X46 directly from DuraVent) vent reducer (5 x 8" vent reduced to 4 x 6 5/8" vent)
- Utilizes smaller 4 x 6 5/8" venting
- Run Quiet Fan System (noise reduction)



G Series Surrounds



SLIM SURROUND (G42 pictured with a Painted Black Finish)
Available for the G39, G42, and G50



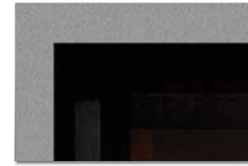
FORGEWORKS SURROUND (G42 pictured)
Available for the G39, G42, and G50



Painted Black



Powder Coated Grey



Powder Coated Silver



Powder Coated Bronze



Brushed Nickel



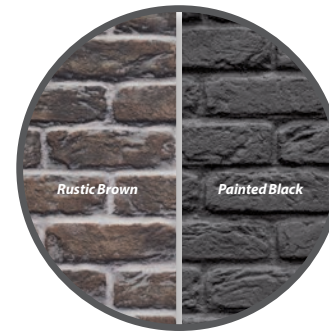
Brushed Antique Copper



Midnight Bronze

G Series Design Elements

G SERIES FIREBOX LINERS



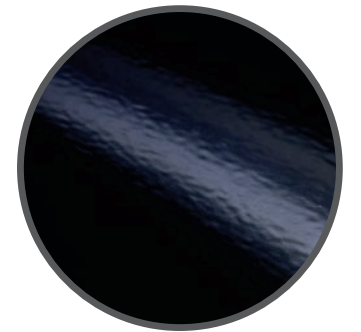
CERAMIC BRICK LINER
Available for the G39, G42, and G50



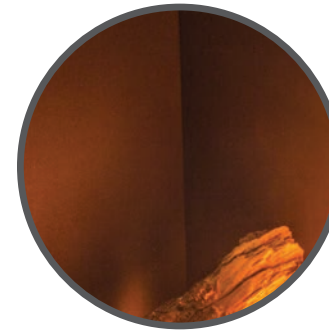
HERRINGBONE LINER
Available for the G39, G42, and G50



LEDGESTONE LINER
Available for the G39, G42, and G50



BLACK ENAMELED STEEL LINER
Available for the G39, G42, and G50



PAINTED STEEL LINER
Included with the G39, G42, and G50

G SERIES BURNER STYLES



GLASS BURNER WITH DIAMOND GLASS
Available for the G39, G42, and G50



DRIFTWOOD LOG SET
Available for the G39, G42, and G50



TRADITIONAL LOG SET
Available for the G39, G42, and G50



BIRCH LOG SET
Available for the G39, G42, and G50

Q Series Surrounds

Q1 GAS FIREPLACE SURROUNDS



MODERN SURROUND



MINIMAL SURROUND



4-SIDED MINIMAL SURROUND



VICTORIAN FACE
(Not ZC Compatible)

*Available in Painted Black or Antique Bronze
Optional back panel available*

Q2 GAS FIREPLACE SURROUNDS



SLIM FACE
Included



FORGEWORKS FACE
Midnight Bronze

Q3 GAS FIREPLACE SURROUNDS



SLIM FACE
Included



FORGEWORKS FACE
Midnight Bronze



LATTICE FACE

Q Series Design Elements

Q SERIES FIREBOX LINERS



CERAMIC BRICK LINER

Ceramic Brick available for the Q1, Q2, and Q3 Rustic Ceramic Brick available for the Q4



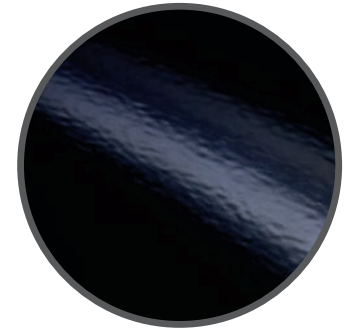
HERRINGBONE LINER

Available for the Q2



LEDGESTONE LINER

Available for the Q1, Q3, and Q4



BLACK ENAMELED STEEL LINER

Available for the Q1, Q2, Q3, and Q4

Q SERIES BURNER STYLES



GLASS BURNER W/DIAMOND GLASS

Available for the Q1 and Q2



COAL BURNER

Available for the Q1



CLASSIC LOG SET

Available for the Q1



TRADITIONAL LOG SET

Available for the Q2 & Q3



ULTRA HIGH DEFINITION LOG SET

Available for the Q4



DRIFTWOOD LOG SET

Available for the Q2

Q Series Options

Firebox Liners

	Q1 GAS FIREPLACE	Q2 GAS FIREPLACE	Q3 GAS FIREPLACE	Q4 GAS FIREPLACE
Ceramic Brick Liner	Included (Log & Coal)	Optional	Optional	
Rustic Ceramic Brick Liner				Optional
Black Enameled Steel Liner	Optional, inc. w/Q1G	Optional, inc. w/Q2G	Optional	Optional
Ledgestone Liner	Optional		Optional	Optional
Herringbone Liner		Optional		
Painted Steel Firebox		Included		

Fireplace Surrounds

	Q1 GAS FIREPLACE		Q2 GAS FIREPLACE		Q3 GAS FIREPLACE		Q4 GAS FIREPLACE	
	HEIGHT	WIDTH	HEIGHT	WIDTH	HEIGHT	WIDTH	HEIGHT	WIDTH
Minimal Surround*	26 3/8"	22 3/4"						
Victorian Face (Not ZC Compatible)	30 1/2"	30"						
Minimal Surround Four-Sided	27 1/2"	24 1/4"						
Modern Surround*	30"	30"						
Slim Face			28 7/8"	32 3/4"	32"	32 3/4"		
Lattice Face					32 1/4"	32 1/4"		
Forgeworks Face			29 1/4"	33 7/8"	32 7/8"	35 7/8"		

* In Combination with the Q2, these surrounds are compatible with the Glass Burner or Driftwood Log Set

Burner Variations

	Q1 GAS FIREPLACE	Q2 GAS FIREPLACE	Q3 GAS FIREPLACE	Q4 LARGE GAS FIREPLACE
Classic Log Set	Optional			
Ultra High Definition Log Set				Included
Traditional Log Set		Included	Included	
Driftwood Log Set		Optional		
Glass Burner with Diamond Glass	Top vent only	Top vent only		
Coal Burner	Optional			

Additional Options

	Q1 GAS FIREPLACE	Q2 GAS FIREPLACE	Q3 GAS FIREPLACE	Q4 GAS FIREPLACE
Heat Distribution Kit				Optional
Power Vent Kit				Optional
150 CFM Run Quiet Fan System	Included	Included with IPI	Included	
Programmable Thermostat	Optional	Optional	Optional	
Proflame Remote Control	Included with IPI	Included with IPI	Included with IPI	Included with IPI

G Series Options

Firebox Liners

	G39 GAS FIREPLACE	G42 GAS FIREPLACE	G50 GAS FIREPLACE
Ceramic Brick Liner	✓	✓	✓
Herringbone Liner	✓	✓	✓
Black Enameled Steel Liner	✓	✓	✓
Ledgestone Liner	✓	✓	✓
Painted Steel Liner	Included	Included	Included

Fireplace Surrounds

	G39 GAS FIREPLACE		G42 GAS FIREPLACE		G50 GAS FIREPLACE	
	HEIGHT	WIDTH	HEIGHT	WIDTH	HEIGHT	WIDTH
Slim Face Surround	33 3/4"	39"	37"	42 1/2"	39"	50 1/2"
Forgeworks Surround	33 3/4"	39"	37"	42 1/2"	39"	50 1/2"

Burner Variations

	G39 GAS FIREPLACE	G42 GAS FIREPLACE	G50 GAS FIREPLACE
Traditional Log Set	✓	✓	✓
Birch Log Set	✓	✓	✓
Driftwood Log Set	✓	✓	✓
Glass Burner with Diamond Glass	✓	✓	✓

Additional Accents

	G39 GAS FIREPLACE	G42 GAS FIREPLACE	G50 GAS FIREPLACE
Cool Surface System (HDK)	Built-in	Built-in	Built-in
Power Vent Kit	Optional	Optional	Optional
Ceramic Glass	Optional	Included	Included
Top Firebox Lighting (Log IPI Only)	✓	✓	✓
Adjustable Ember Bed Lighting (Log IPI Only)	✓	✓	✓
Programmable Thermostat	✓	✓	✓
Proflame Remote Control	Included with IPI	Included with IPI	Included with IPI

Q Series Specifications

Performance

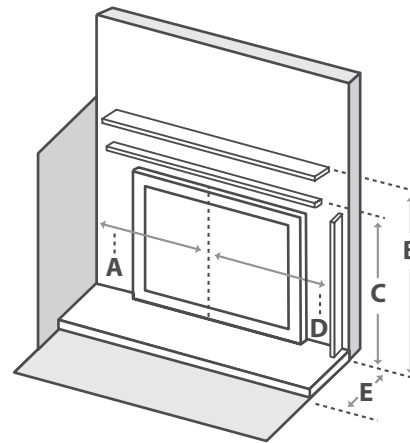
	Q1 GAS FIREPLACE	Q2 GAS FIREPLACE	Q3 GAS FIREPLACE	Q4 GAS FIREPLACE
BTU Maximum input - NG / LP	20,000 / 18,500	24,000 / 20,000	38,000 / 38,000	48,000 / 48,000
Turn Down* - Valve 820 / Valve 885	50% / 33%	50% / 33%	50% / 33%	N/A / 67% (w/Split Flow)
Heat Exchanger	✓	✓	✓	
SIT Valve 820 (Standing Pilot)	Available	Available	Available	N/A
SIT Valve 885 (IPI)	Available	Available	Available	Standard
Split Flow Burner	N/A	N/A	N/A	Standard
Efficiency - Steady State**	76.1%	70.7%	71.6%	59%
Efficiency - FE rating (P4)†	74.5%	69.3%	67.3%	57.7%
Glass Size	17½" x 19¾", 345½ in²	28.6" x 23.85", 682 in²	28" x 30", 840 in²	34¼" x 30", 1027½ in²
150 CFM Run-Quiet Fan System	✓	Optional on Standing Pilot Included with IPI	✓	N/A

Installation

	Q1 GAS FIREPLACE			Q2 GAS FIREPLACE			Q3 GAS FIREPLACE			Q4 GAS FIREPLACE		
Fireplace Dimensions w/Screen (HWD)	HEIGHT	WIDTH	DEPTH	HEIGHT	WIDTH	DEPTH	HEIGHT	WIDTH	DEPTH	HEIGHT	WIDTH	DEPTH
Fireplace Dimensions w/Screen (HWD)	35¼"	25¼"	17½"	40"	34⅝"	15⅞"	43½"	34⅝"	18"	52¼"	44⅝"	26"
Venting Collar Size	4" x 6 ⅝"			4" x 6 ⅝"			4" x 6 ⅝"			5" x 8"		
Venting Orientation	Top / Rear			Top / Rear			Top / Rear			Top / Rear		
LP Conversion Kit (Standing Pilot)	Standard			Standard			Standard			N/A		
Weight (lbs)	110 lbs			155 lbs			192 lbs			320 lbs		

Clearance to Combustibles

	Q1	Q2	Q3	Q4
A - center of unit to side wall	16½"	21 7⁄8"	26¼"	28½"
B - bottom of unit to bottom of 12" mantle	41"	49"	46½"	54¼"
C - unit bottom to max. ¾" combustible facing	35¼"	40"	43½"	80"
D - center of unit to side facing	10"	17½"	17 5⁄16"	18½"
E - front of door to edge of floor protection	12"	N/A	N/A	12½"



* Turn down based on P4 efficiencies on low.

** Steady state rating based on conventional venting configuration.

† Efficiency based on the P4-15 measured efficiency rating of the IPI models

G Series Specifications

Performance

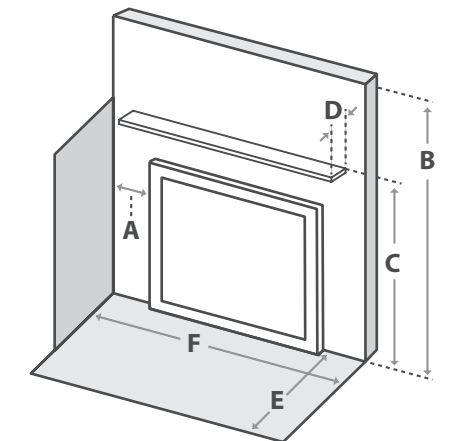
	G39 GAS FIREPLACE	G42 GAS FIREPLACE	G50 GAS FIREPLACE
BTU Maximum input - NG / LP	30,000 / 30,000	40,000 / 40,000	48,000 / 48,000
Turn Down* - Valve 820 / Valve 885	50% / 33%	50% / 33%	67.5% w/Split flow
Heat Exchanger	✓	✓	✓
SIT Valve 820 (Standing Pilot)	Available	Available	N/A
SIT Valve 885 (IPI)	Available	Available	Standard
Split Flow Burner	N/A	N/A	Standard
Efficiency - Steady State**	71.37%	72.1%	75.7%
Efficiency - FE rating (P4)†	69.8%	69.6%	72.8%
Glass Size	26¼" x 32½", 853¼ in²	29⅜" x 36½", 1072 in²	30½" x 43½", 1326¾ in²
Run-Quiet Fan System	130 CFM	130 CFM	130 CFM

Installation

	G39 GAS FIREPLACE			G42 GAS FIREPLACE			G50 GAS FIREPLACE		
Fireplace Dimensions w/Screen (HWD)	HEIGHT	WIDTH	DEPTH	HEIGHT	WIDTH	DEPTH	HEIGHT	WIDTH	DEPTH
Fireplace Dimensions w/Screen (HWD)	42"	41 ½"	18¼"	50"	48 ¾"	23¼"	50"	55"	23¼"
Venting Collar Size	4/7" Flex & 6 ⅝" Rigid			5/8" Flex & Rigid			5/8" Flex & Rigid		
Venting Orientation	Top			Top			Top		
LP Conversion Kit (Standing Pilot)	Included			Included			N/A		
Weight (lbs)	192 lbs			250 lbs			280 lbs		

Clearance to Combustibles

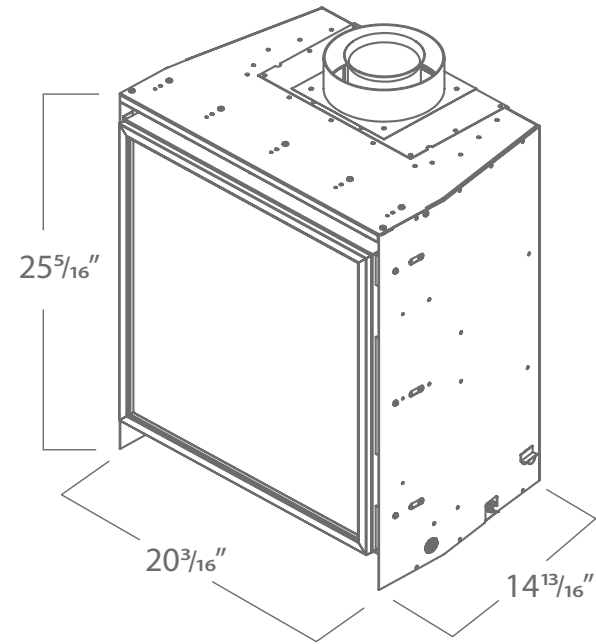
	G39	G42	G50
A - Side of unit to side wall	7"	7"	7"
B - Minimum clearance to ceiling	72"	78"	78"
C - Minimum clearance to mantle height	45"	45¼"	48"
D - Minimum clearance to mantle depth	4"	4"	4"
E - Front of door to edge of floor protection	0"	0"	0"
F - Minimum clearance to alcove width	52"	57"	63½"



Unit Dimensions

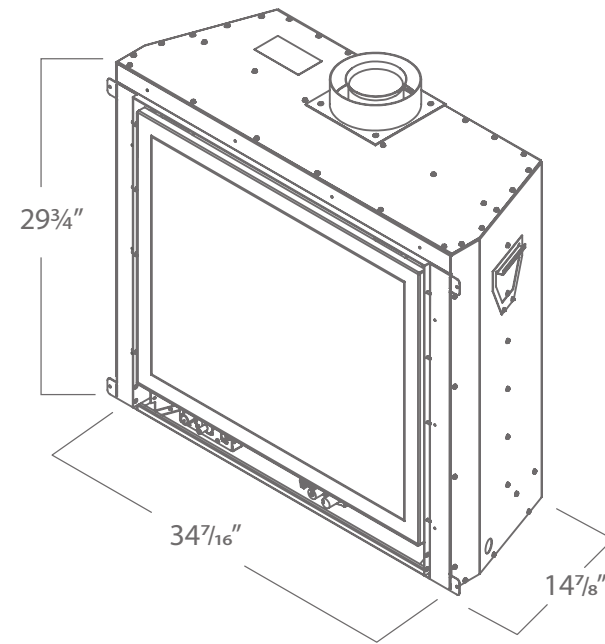
Q1

Gas Fireplace



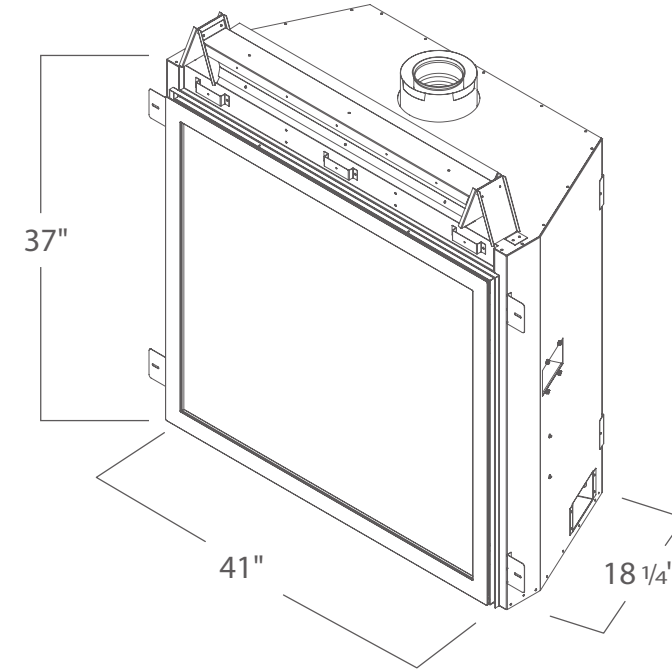
Q2

Gas Fireplace



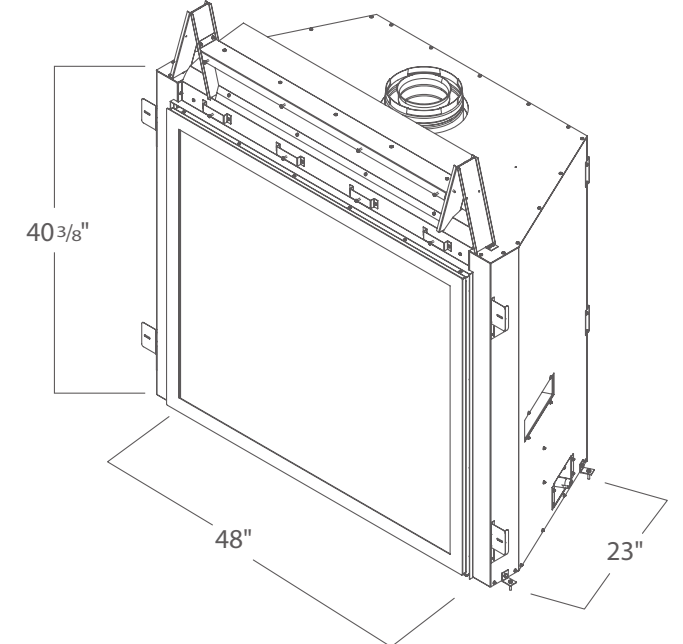
G39

Gas Fireplace



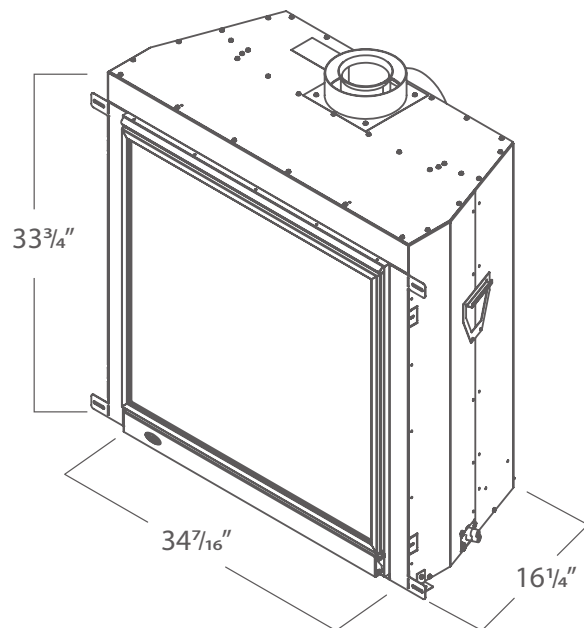
G42

Gas Fireplace



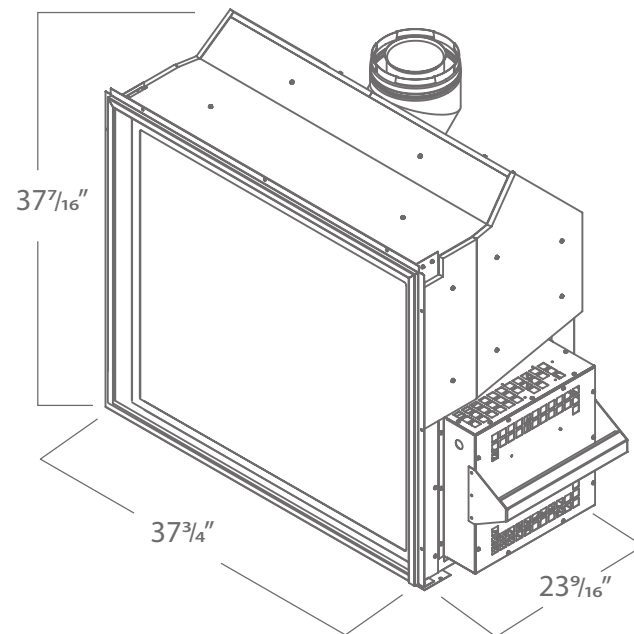
Q3

Gas Fireplace



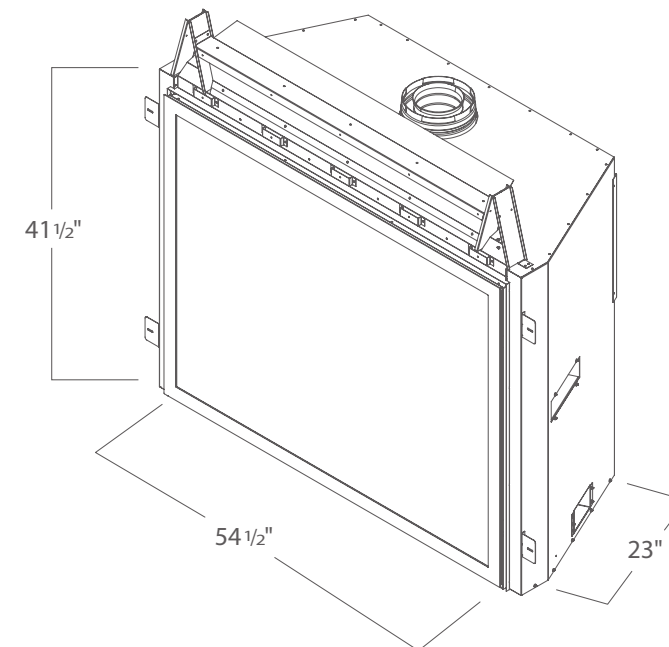
Q4

Gas Fireplace



G50

Gas Fireplace



The best way to visualize
your dream fireplace at home
is with the Enviro App!



Manufactured by Sherwood Industries Ltd • Victoria, BC, Canada
enviro.com • info@enviro.com • Printed in Canada, April 2020



Please share and
recycle this brochure